

Drive / Transfer Units

for the Connection of Linear Actuators

SPECIFICATION

Version in Steel
 Guide tube
 Tube DIN 2391
 Steel, chrome-plated **SCR**
 Version in Stainless Steel
 Guide tube
 Tube DIN 2462
 Stainless steel AISI 304 **NI**
 Shaft
 Steel respectively stainless steel
 Ball bearing
 End cap
 Plastic



INFORMATION

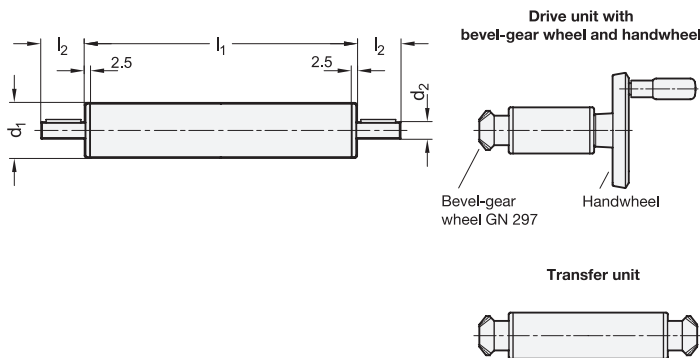
Transfer units GN 391 are normally used in connection with linear actuators. They are designed to transfer the rotary movement for operating the linear actuators to another or a further position. The transfer unit in the standard length l_1 is a special design: It is designed to turn the operating axis for the linear actuators (handwheel) by 90° together with an angular gear. As in linear actuators, digital position indicators can be fitted.

ACCESSORY

- Bevel gear wheels, handwheels, tube clamp connectors and accessory have to be ordered separately.

TECHNICAL INFORMATION

- ISO-Fundamental Tolerances (see page A21)
- Stainless Steel characteristics (see page A26)
- Assembly and application examples of Transfer units (see page 1944)



GN 391-SCR

Description	d1	l1 Standard lengths of the drive units	Transfer units	d2	l2	⚖
GN 391-18-47-SCR	18	47	42 ... 500*	6	16	63
GN 391-30-60-SCR	30	60	55 ... 2000*	8	16	180
GN 391-40-93-SCR	40	93	88 ... 2500*	12	17	506
GN 391-50-93-SCR	50	93	88 ... 2500*	12	18	781
GN 391-60-95-SCR	60	95	90 ... 2800*	14	19	1165

GN 391-NI

STAINLESS STEEL

Description	d1	l1 Standard lengths of the drive units	Transfer units	d2	l2	⚖
GN 391-18-47-NI	18	47	42 ... 500*	6	16	65
GN 391-30-60-NI	30	60	55 ... 2000*	8	16	185
GN 391-40-93-NI	40	93	88 ... 2500*	12	17	528
GN 391-50-93-NI	50	93	88 ... 2500*	12	18	772
GN 391-60-95-NI	60	95	90 ... 2800*	14	19	1165

* according to customer's requirement